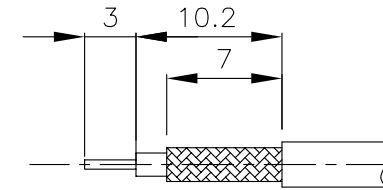
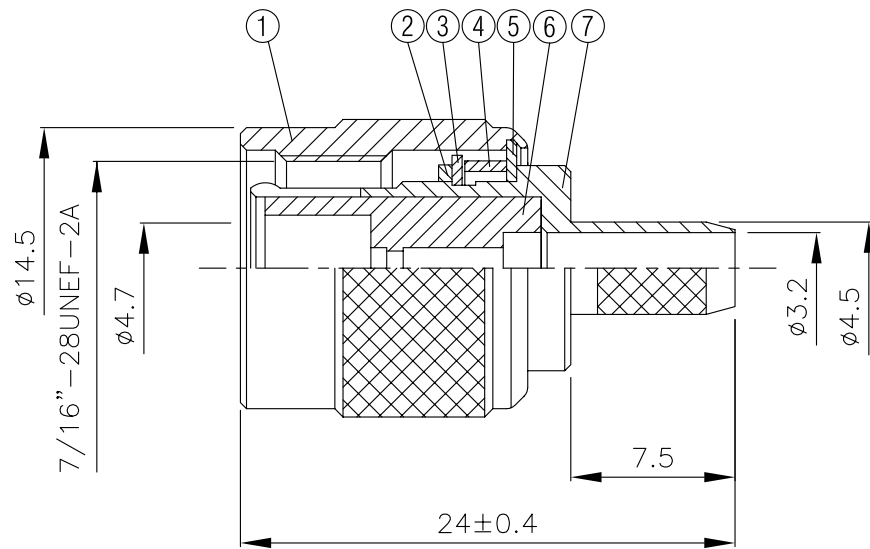


Dimensions



(Recommended Stripping Dimension)

