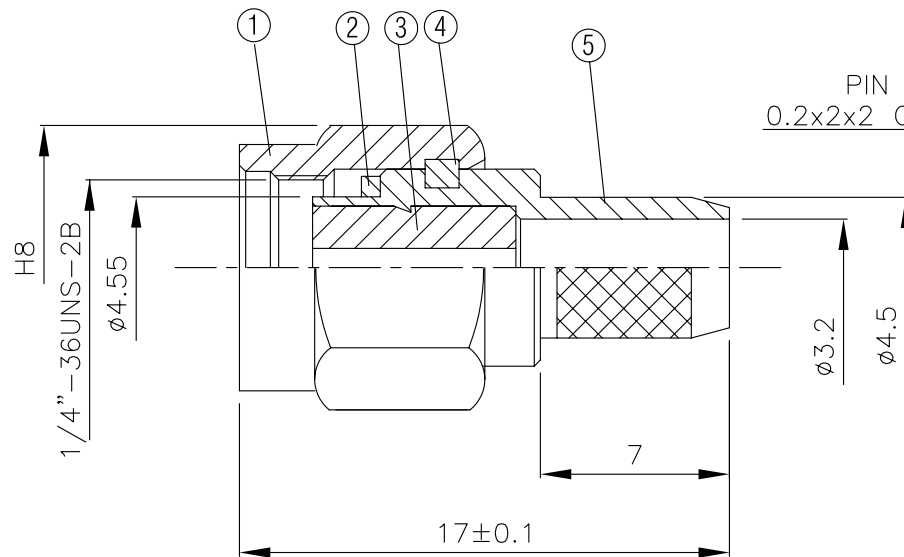
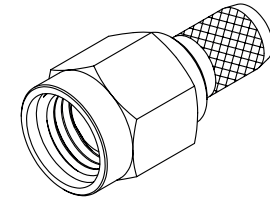
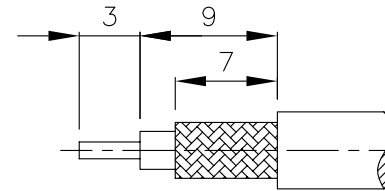


Dimensions



PIN CHUCK
0.2x2x2 GROOVE

