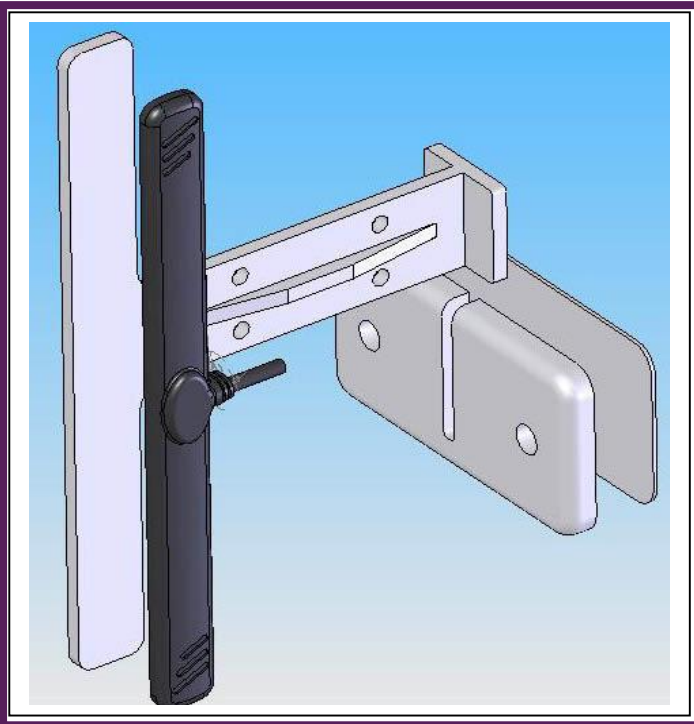


AG360/WB

Wall/Window Mount Bracket



DESCRIPTION

AG360 Series T-Bar Antenna and Wall / Glass mount Bracket

APPLICATION

GSM850
GSM900
GSM1800
GSM1900
UMTS 2.1GHz (3G)

KEY FEATURES

Multi-Band Dipole PCB Antenna

Frequency: GSM850
GSM900
GSM1800
GSM1900
UMTS 2.1GHz (3G)

Gain: 2dBi

VSWR: Less than 2:1 in all bands

Impedance: 50Ω

Physical Data

Gross Dimensions: 131mm x 12mm x 4mm
Black PVC (Type T12/TM2) plastic

Mounting: Double-sided adhesive pad, 0.8mm thick

Operating Temp: -40°C to +85°C

Water Resistance: Meets IP67

Cable: RG174 – Specified length (-0mm, +100mm)

Connectors: FME (f) Nickel-plated brass crimp type

FURTHER INFORMATION

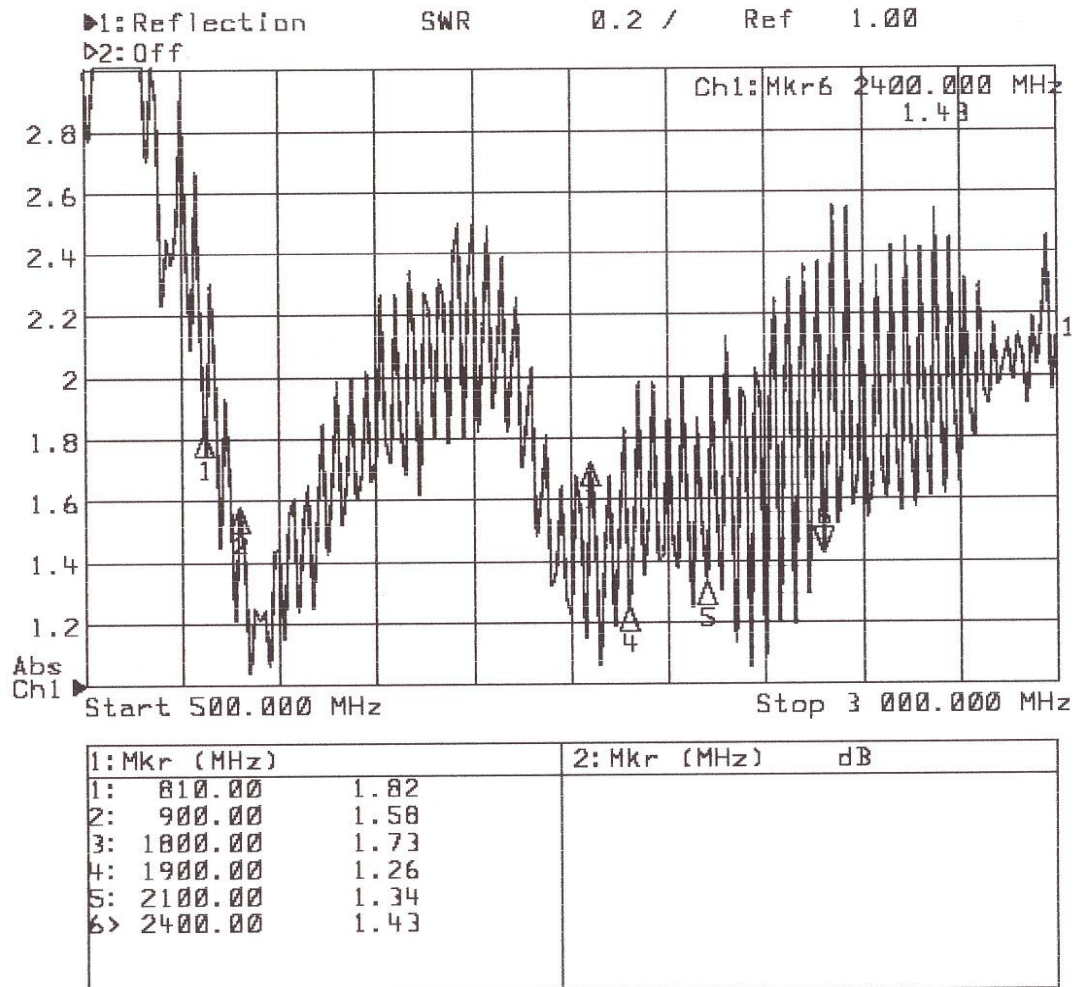


Figure 1 VSWR 500MHz – 3000MHz

WANT TO KNOW MORE...

FOR MORE INFORMATION ON OUR FULL EXTENSIVE RANGE OF ANTENNAS
 CABLES & ACCESSORY PRODUCTS PLEASE CALL OUR SALES TEAM ON
01420 470615 OR EMAIL rf@armourauto.com